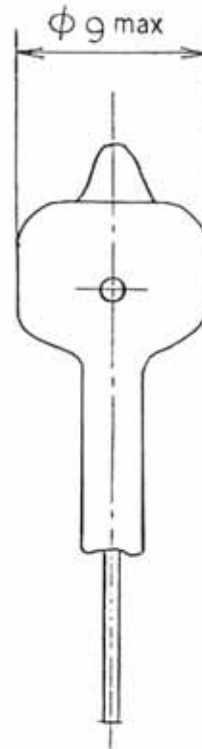
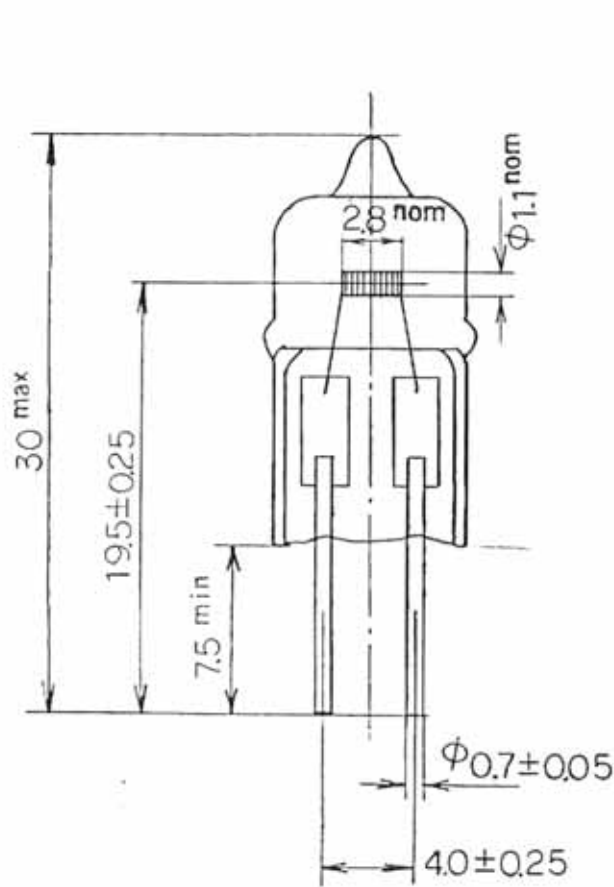


<input type="radio"/> GENERAL LIGHTING	HALOGEN LAMP	<input type="radio"/> SINGLE ENDED
<input type="radio"/> PROJECTOR		<input type="radio"/> DOUBLE ENDED
<input type="radio"/> PHOTOGRAPHIC		<input type="radio"/> REFLECTOR
JC6V20W20H/G4		

ANSI CODE	
BASE	G4.0/0.7
FILAMENT	C-6
FUSE	NOT FURNISHED
BURN. POS.	ANY



INIT. CHARACT. & LIFE		
RTD. VOLTS	V	6
RTD. AMPS	A	
WATTS	W	20±7%
LUMENS	lm	280±10%
EFFICACY	lm/W	nom 14
CD. POWER	Cd	
COLOR TEMP	K	nom 2850
AVE. LIFE	H	2000

<input type="radio"/> REF. DESIGN	DRAW. NO.	UNIT	SCALE
<input type="radio"/> STD. DESIGN	ER2 1823	mm	X
APPROVED	CHECKED	DRAWING	
<i>O. Ishihara</i>	<i>Jm</i>	<i>Y. Sato</i>	
REVISE	0	1	2
DATE	8. Dec, 1983		
CONTENTS	ISSUE		

④
G1-043