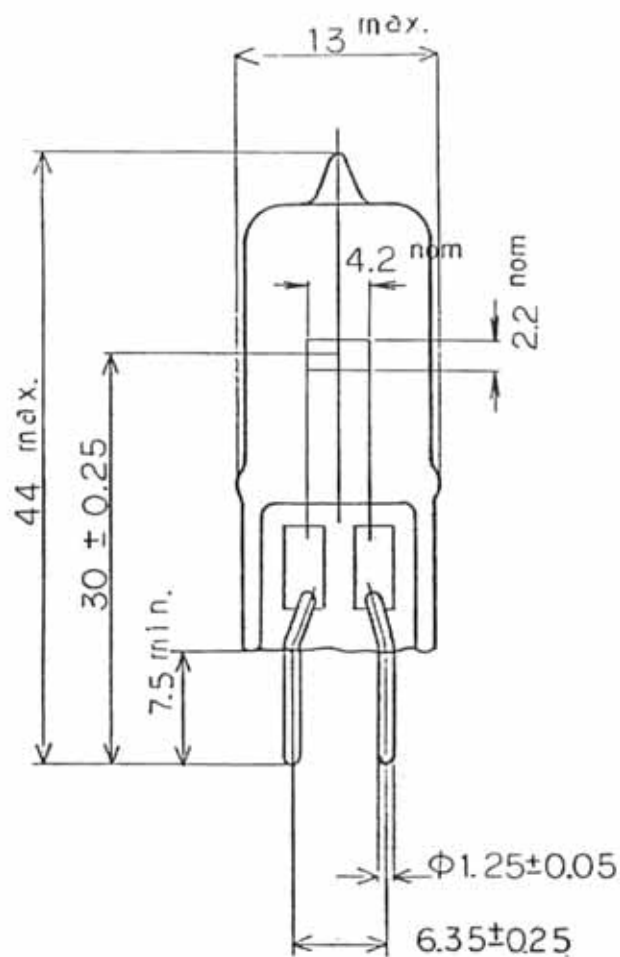


<input type="radio"/> GENERAL LIGHTING	HALOGEN LAMP	<input type="radio"/> SINGLE ENDED
<input type="radio"/> PROJECTOR		<input type="radio"/> DOUBLE ENDED
<input type="radio"/> PHOTOGRAPHIC		<input type="radio"/> REFLECTOR
JC 12V 100W/G2(FCR)		

ANSI CODE	FCR
BASE	G6.35/125
FILAMENT	C-BAR-6
FUSE	NOT FURNISHED
BURN. POS.	ANY



INIT. CHARACT. & LIFE		
RTD. VOLTS	V	12
RTD. AMPS	A	
WATTS	W	100 ± 7%
LUMENS	lm	2800 ± 10%
EFFICACY	lm/W	NOM. 28
CD. POWER	Cd	
COLOR TEMP	K	NOM. 3350
AVE. LIFE	H	70
REVISE	0	1
DATE	4 JUN 1977	
CONTENTS	ISSUE	

REF. DESIGN	DRAW. NO.	UNIT	SCALE
<input type="radio"/> STD. DESIGN	ES 21176	mm	X
APPROVED	CHECKED	DRAWING	
<i>K. Takahashi</i>	<i>O. Wakahara</i>	<i>K. Murakami</i>	
REVISE	0	1	2
DATE	4 JUN 1977		
CONTENTS	ISSUE		

EYE IWASAKI ELECTRIC CO., LTD.